

1393680-9 ✓ ACTIVE

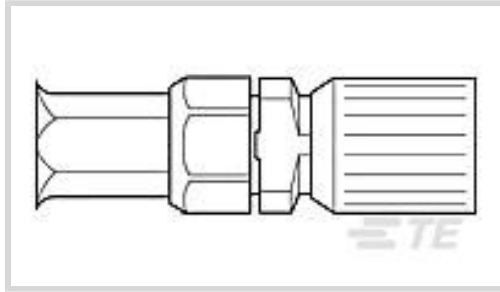
TE Internal #: 1393680-9

RF Connectors, DIN 1.6/5.6 Connectors RF Interface, Plug, 75 Ω , 02Y (St)CY 0.45/2.0, Screw, 8 GHz Operating Frequency, Cable-to-Cable, 1 Position

[View on TE.com >](#)



Connectors > RF Coax Connectors > RF Connectors



RF Interface: **DIN 1.6/5.6 Connectors**

RF Connector Style: **Plug**

RF Connector Mated Outer Diameter (Approximate): **10.8 mm [.425 in]**

Impedance: **75 Ω**

Compatible With RF Cable Type: **02Y (St)CY 0.45/2.0**

Features

Product Type Features

RF Interface	DIN 1.6/5.6 Connectors
RF Connector Style	Plug
Compatible With RF Cable Type	02Y (St)CY 0.45/2.0
Connector System	Cable-to-Cable
Sealable	No
Connector & Contact Terminates To	Wire & Cable

Configuration Features

Number of Positions	1
Number of Coaxial Contacts	1

Electrical Characteristics

Impedance	75 Ω
-----------	-------------

Body Features

Cable Connector Orientation	Straight
Body Material	Brass
Body Plating Material	Gold

Contact Features

RF Connector Center Contact Plating Material	Gold
RF Connector Center Contact Material	Brass



Termination Features

Termination Method to Wire & Cable	Crimp
------------------------------------	-------

Mechanical Attachment

RF Connector Coupling Mechanism	Screw
Connector Mounting Type	Panel Mount
RF Contact Captivation Method	Mechanical
Detent	Without

Dimensions

RF Connector Mated Outer Diameter (Approximate)	10.8 mm [.425 in]
---	-------------------

Usage Conditions

Operating Temperature Range	-40 – 85 °C [-40 – 185 °F]
-----------------------------	----------------------------

Operation/Application

Operating Frequency	8 GHz
---------------------	-------

Packaging Features

Packaging Quantity	100
Packaging Method	Bag

Product Compliance

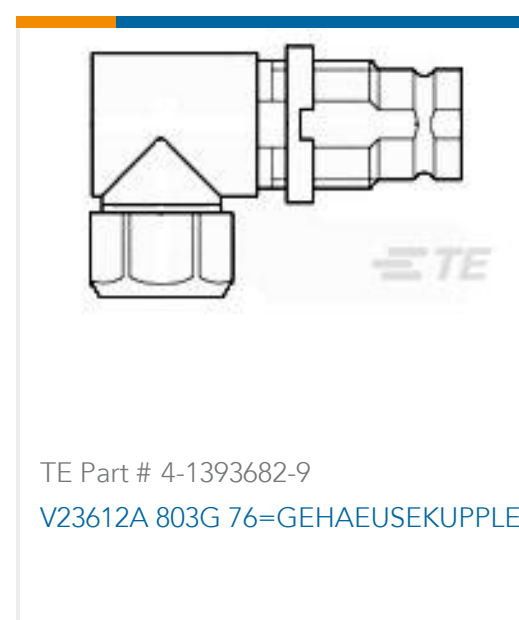
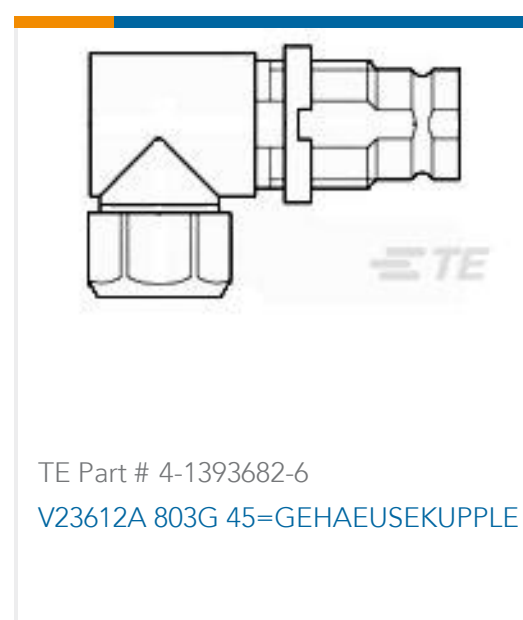
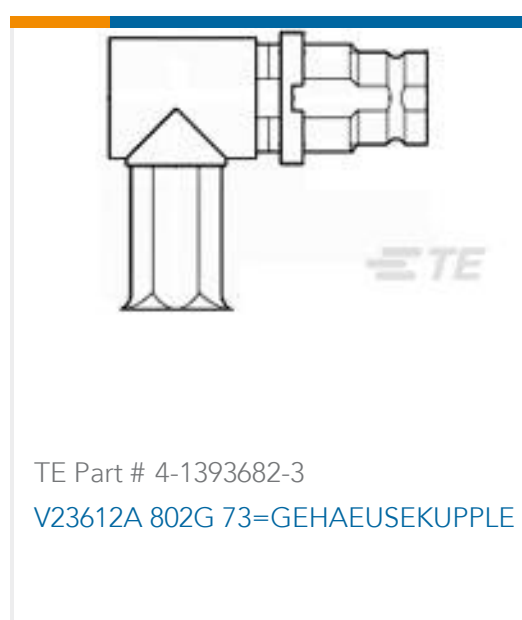
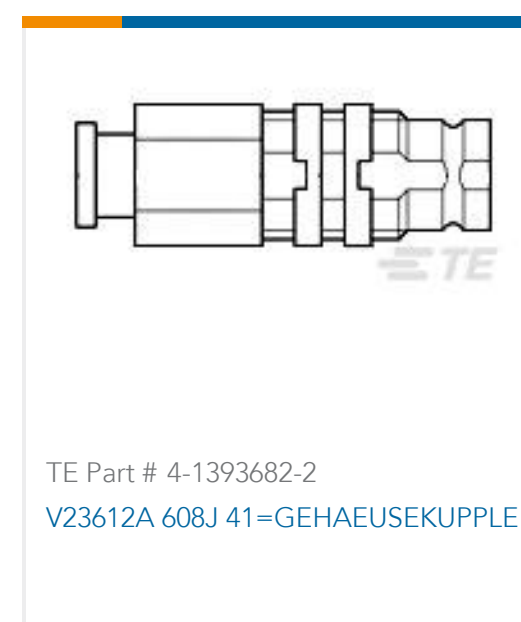
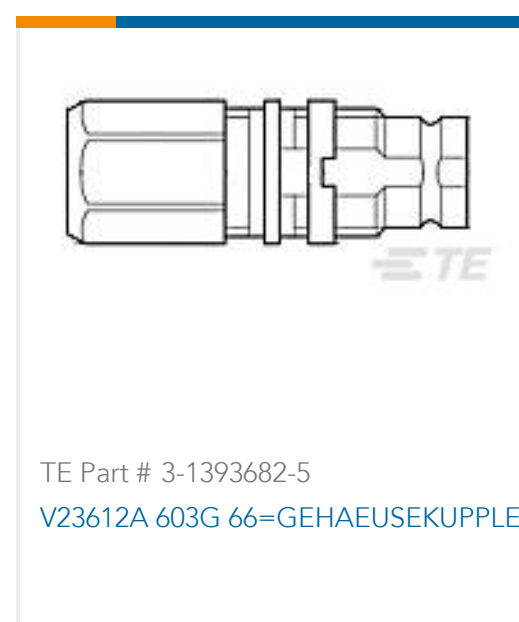
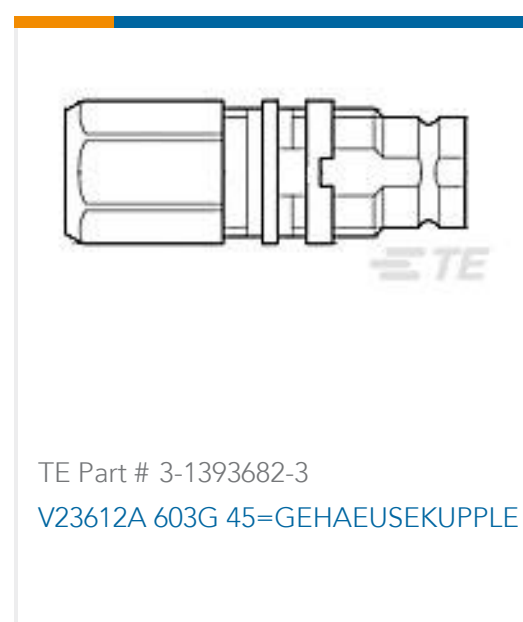
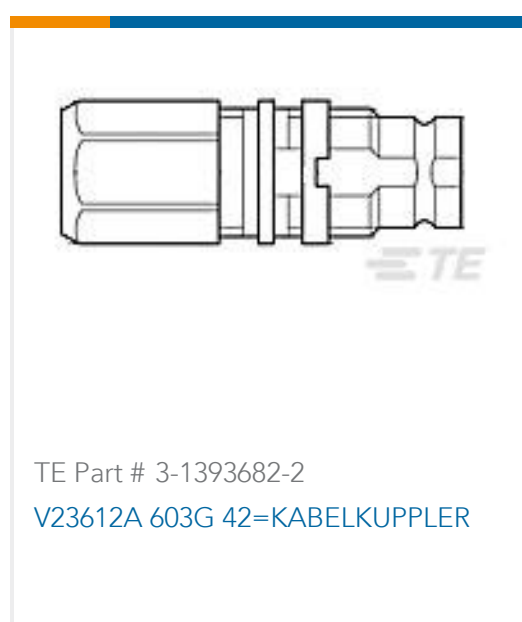
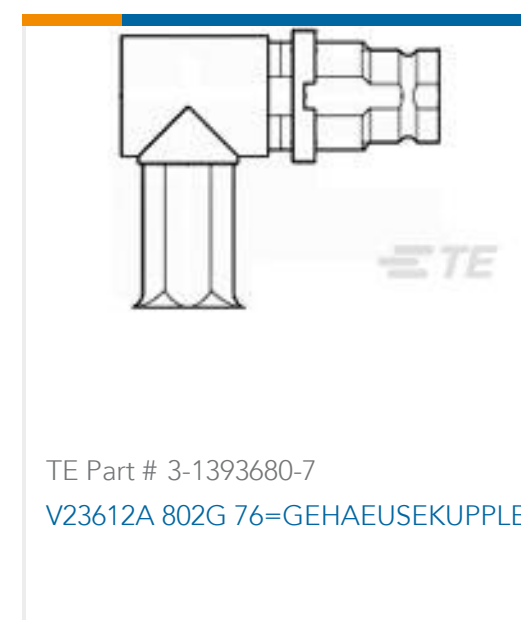
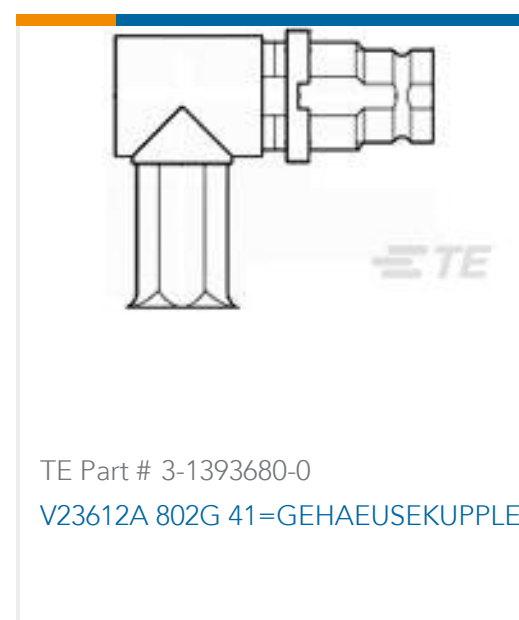
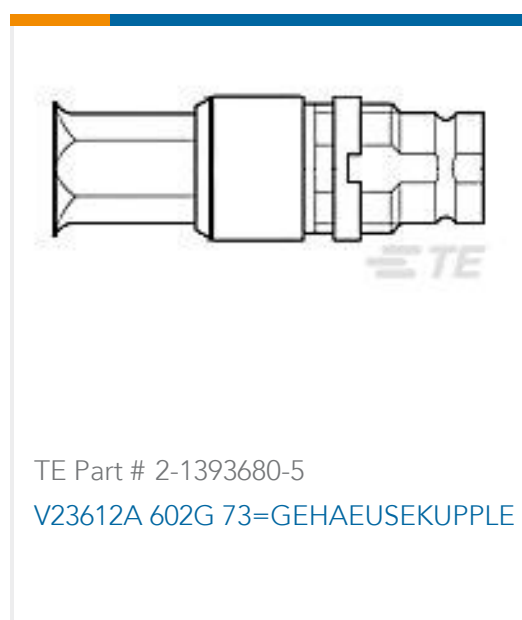
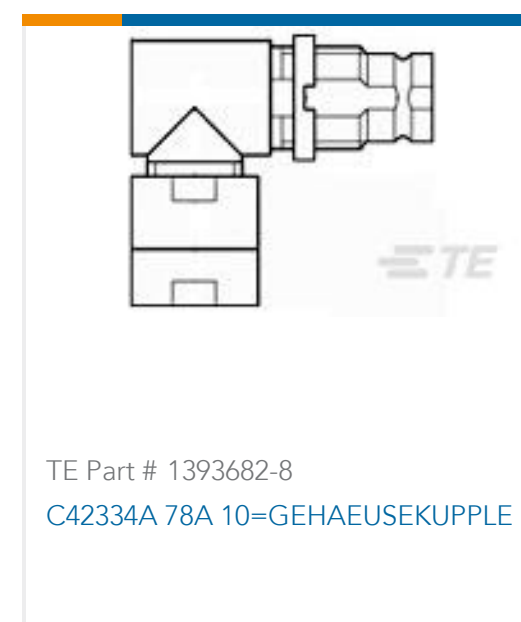
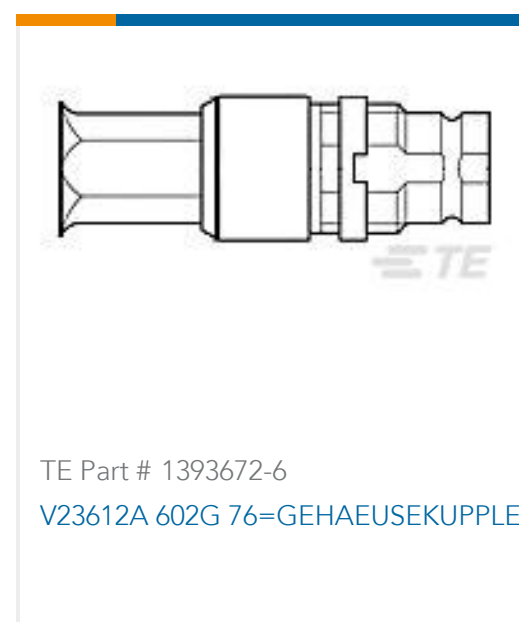
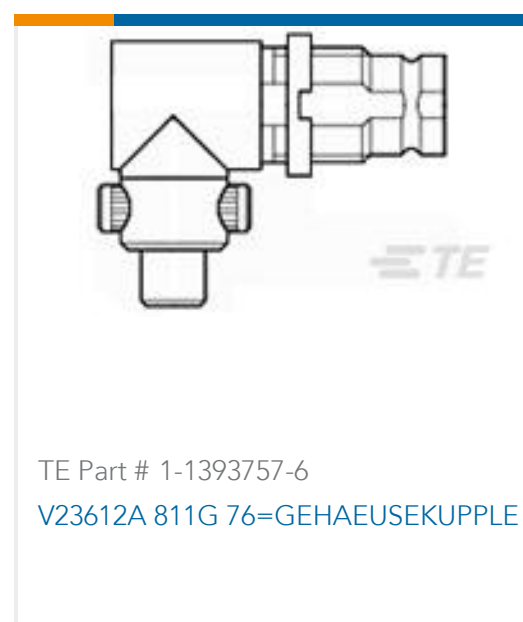
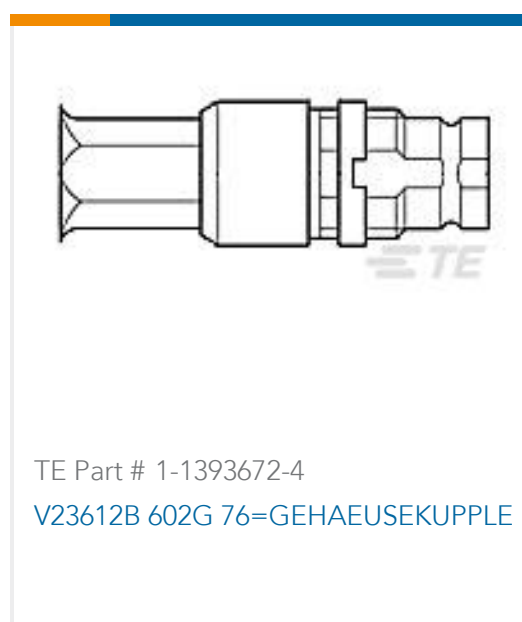
[For compliance documentation, visit the product page on TE.com>](#)

EU RoHS Directive 2011/65/EU	Compliant with Exemptions
EU ELV Directive 2000/53/EC	Compliant with Exemptions
China RoHS 2 Directive MIIT Order No 32, 2016	Restricted Materials Above Threshold
EU REACH Regulation (EC) No. 1907/2006	Current ECHA Candidate List: JUNE 2022 (224) Candidate List Declared Against: JUNE 2022 (224) SVHC > Threshold: Pb (3.5% in Component Part) Article Safe Usage Statements: Do not eat, drink or smoke when using this product. Wash thoroughly after handling. Recycle if possible and dispose of the article by following all applicable governmental regulations relevant to your geographic location.
Halogen Content	Low Halogen - Br, Cl, F, I < 900 ppm per homogenous material. Also BFR/CFR/PVC Free
Solder Process Capability	Wave solder capable to 265°C

Product Compliance Disclaimer

This information is provided based on reasonable inquiry of our suppliers and represents our current actual knowledge based on the information they provided. This information is subject to change. The part numbers that TE has identified as EU RoHS compliant have a maximum concentration of 0.1% by weight in homogenous materials for lead, hexavalent chromium, mercury, PBB, PBDE, DBP, BBP, DEHP, DIBP, and 0.01% for cadmium, or qualify for an exemption to these limits as defined in the Annexes of Directive 2011/65/EU (RoHS2). Finished electrical and electronic equipment products will be CE marked as required by Directive 2011/65/EU. Components may not be CE marked. Additionally, the part numbers that TE has identified as EU ELV compliant have a maximum concentration of 0.1% by weight in homogenous materials for lead, hexavalent chromium, and mercury, and 0.01% for cadmium, or qualify for an exemption to these limits as defined in the Annexes of Directive 2000/53/EC (ELV). Regarding the REACH Regulation, the information TE provides on SVHC in articles for this part number is based on the latest European Chemicals Agency (ECHA) 'Guidance on requirements for substances in articles' posted at this URL: <https://echa.europa.eu/guidance-documents/guidance-on-reach>

Compatible Parts





Documents

Product Drawings

V23612A 102A 76=KABELSTECKER

English

Datasheets & Catalog Pages

DIN Connectors

English

Product Specifications

Application Specification

English